

YA. NOSOVA, O. AVRUNIN, V. SEMENETS

**BIOTECHNICAL SYSTEM FOR INTEGRATED OLFACTOMETRY DIAGNOSTICS**

The **subject matter** of the article is the process of olfactometric research of a human olfactory function. The **object** of the study is a biotechnical system which includes a method for increasing the objectivity of olfactometric diagnostics. The **goal** is to develop a biotechnical system for complex olfactometry, which enables increasing the objectivity of olfactometric studies and connecting breathing parameters with olfactory function by placing an odorant carrier in the airway of the rhinomanometer, as well as by using procedures for determining the energy characteristics of respiration. The **methods used** are: methods of digital signal processing, the theory of biotechnical systems. The following results are obtained. A structural diagram of a biotechnical system for olfactometric diagnostics of a human olfactory analyser was developed. As a result of the analysis of the cyclogram of nasal breathing, it is found that by changing the frequency and nature of breathing upon reaching the sensitivity threshold, it is possible to objectify the method of assessing respiratory and olfactory disorders according to the energy criterion of pneumatic power when inhaling appropriate odorivectors, and also to study the olfactory and respiratory function with the capability of estimating respiratory cycles in a dynamic mode. The studies were carried out on the basis of typical inspiration cycles: with a quiet breathing in the normal conditions, in the forceful breathing mode with a stiff nasal valve, with a nasal valve with natural functional mobility which restricts the flow of air, and also a stepped inspiration – a short “sipping” of air, which can be characterized as a kind of “sniffing”. Conclusions. Computer olfactometry is one of the most promising methods for diagnosing olfactory disorders of respiratory genesis. The developed biotechnical system is based on the use of a fundamentally new design, combining a rhinomanometer and an olfactometric nozzle with a container for an odorant. A feature of this system is also the capability to determine the energy characteristics of nasal breathing when the sensitivity threshold of the odorivector is reached. The future direction of the work is to specify the concentrations of odorants for the biotechnical system for olfactometric diagnostics, which enables testing the sensitivity of the olfactory analyser on outpatient basis

**Keywords:** olfactory test, odorivector, rhinomanometer, olfactometry, energy characteristics.

**Introduction****General problem setting and analysis of literature sources.**

Olfactory disorders can be caused by various etiologies. It should be noted that there is no single generally accepted classification of olfactory disorders. However, they can be divided into congenital and acquired ones according to the time of their origination.

Permanent acquired smell impairments can be recognized regarding the complexity of the olfactory analyser structure:

- a) rhinogenic, connected with the pathology of the nasal cavity;
- b) neurosensory, that is peripheral (when neuroepithelial cells are involved in the nasal cavity and olfactory nerves) and central (when the structures in the anterior cranial fossa are affected, e.g. olfactory bulb, tract, triangle, or lesion of the central cortical parts of the olfactory analyser) [1-3].

Rhinogenic dysosmias can be caused by diseases of the nose and nasal tracts, accompanied by a mechanical impediment to the access of odorants to the olfactory area, and change in the pH of the secretion of the Bowman glands, which is a solvent of odorous substances. The olfactory apparatus is affected by atrophic and subatrophic changes in the nasal mucosa and metaplasia of the ciliated epithelium [1].

There are many different methods for studying the olfactory analyser, starting with the visual analogue scale and ending with olfactory scintigraphy [4–8].

Olfactory examinations are divided into subjective and objective ones. Subjective examinations take place when a research subject should consciously respond to a smell, its intensity, quality, pleasantness [9–10].

The objective one happens when the reaction of the

nervous system is recorded. Doty [11] classifies olfactory tests into 3 categories: psychophysical, electrophysiological and psychophysiological ones.

**Theoretical part**

In the context of cooperation between the department of otorhinolaryngology of Kharkiv National Medical University and the Department of Biomedical Engineering of Kharkov National University of Radio Electronics, a biotechnical system for complex olfactometric diagnostics of a human olfactory analyser, based on a computer olfactometer, was developed (fig.1).



**Fig. 1.** General view of the device for complex olfactometric diagnostics

The numerical values of the parameters of measured quantities of the developed biotechnical system are as follows:

- the maximum pressure drop across the nasal meatus can reach the value of up to 40 kPa;
- the maximum air consumption during breathing in the inspiratory cycle according to spirometry is up to

8 l / s;

- the range of measurements of auxiliary sensors, that determine the pressure drop under the oxygen mask during inhalation and exhalation, can be selected on the assumption that the aerodynamic resistance of the supplying breathing equipment (mask and connecting hoses) is an order of magnitude less than the aerodynamic resistance of the respiratory tract, which is confirmed experimentally [12];

- the error of most standard primary converters used in medical equipment for respiratory diagnostics is about 5%, and a quantizing step while digitizing an analogue signal should be 10% less than the measurement error; this should be taken into account when selecting analogue sensors. Therefore, the quantizing step should not exceed 0.5% of the maximum signal value, which corresponds to 256 levels of the 8-bit ADC;

- the sampling frequency of measuring signals of the order of hundreds of Hz should be selected considering the duration of the breathing cycle that can be from 0.5 to 10s [12], as well as the possibility of testing in a dynamic mode while examining the comparatively high-frequency

components (up to tens of Hz) of the air flow signal when diagnosing the function of the nasal valve [13];

- the simplicity of preparatory procedures by medical personnel (sterilization, adjustment, calibration) and, directly, testing itself (selection of measurement modes, data analysis and visualization), which is also one of the basic requirements for wide using the device in clinical practice.

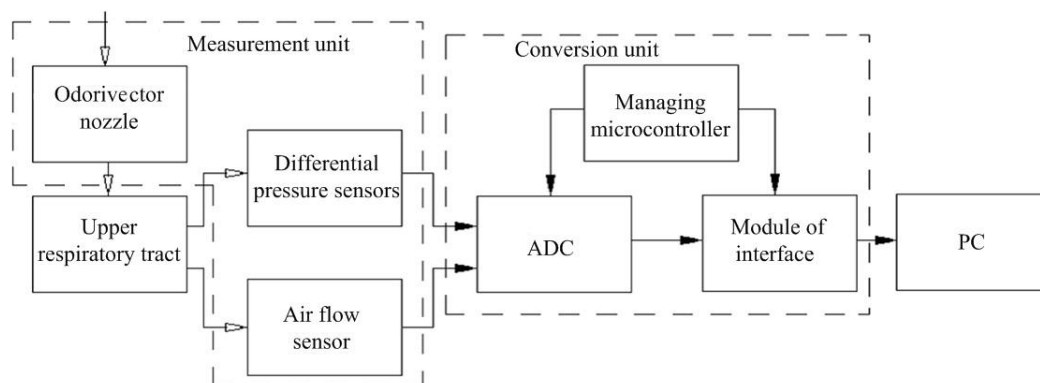
Thus, the biotechnical system for complex olfactometric diagnostics (the structural diagram is shown in fig. 2), includes:

- measuring unit, containing a nozzle with a container of odorant and adjustable air supply;

- pressure and air flow sensors that send signals to the converter unit;

- converter unit in which the output signals of the sensors are digitized by means of the ADC and transmitted through the interface module to the PC.

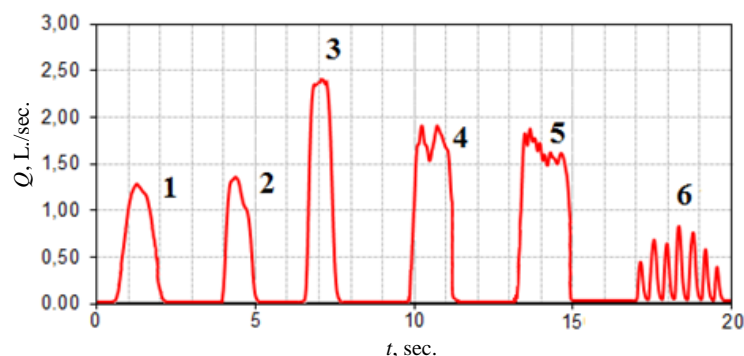
The controlling microcontroller, according to the selected mode, generates the necessary gate pulses. High-level signal processing, visualization, analysis and recording of testing results are performed on the PC with the help of software [13].



**Fig. 2.** Structural diagram of the biotechnical system for complex olfactometric diagnostics

Studies of rhinomanometry data in a dynamic mode (with visualization of the respiratory cycle) [14] create new possibilities for analysing and interpreting the results of nasal breathing testing. Thus, Fig. 3 shows typical inspiration cycles while normal breathing (1 and 2, respectively), while forceful breathing mode with a stiff nasal valve (3), and with a nasal valve with natural

functional mobility that limits the air flow with a characteristic truncated vertex at the cyclogram (4 and 5, respectively), as well as a stepped inspiration (6) that is a short “sipping” of the air, which can be characterized as a kind of “sniffing”, which is illustrated by the high frequency beats of the signal in the diagram of air consumption.

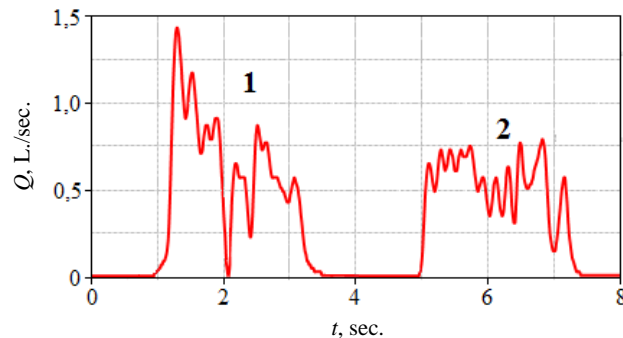


**Fig. 3.** Variants of respiratory cycles

1, 2 – quiet breathing (natural); 3 – forceful breathing (stiff nasal valve); 4, 5 – forceful breathing – stepped inspiration (natural operation mobility of a nasal valve); 6 – stepped inspiration – “sniffing”

In this case, stepped inspiration can be realized in the course of a complete voluntary short-term respiratory arrest or involuntary one (due to the nasal valve mobility, the dynamics of the external nose alae) for a short-term

respiratory arrest (cycles (6) in fig. 4 and cycle (1) in fig. 5), or while simple alternating deceleration and acceleration of inspiration (cycle (2) in fig. 3).

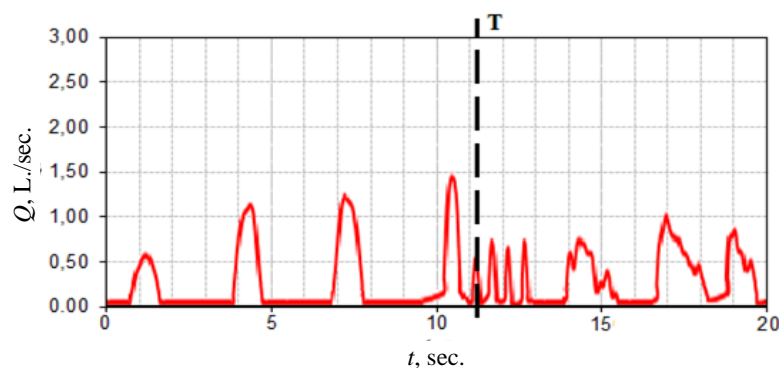


**Fig. 4.** Respiratory cycles with stepped inspiration (1 – in the course of a short-term respiratory arrest, 2 – while simple alternating deceleration and acceleration of inspiration)

In the course of forceful breathing, this cyclogram also indicates the stiffness of the nasal valve with inspiratory flow signals in the form of almost perfect half-periods of the sinusoid.

Normally, when a research subject feels an odorivector, his breathing voluntarily accelerates for a short period of time when approaching the sensitivity threshold

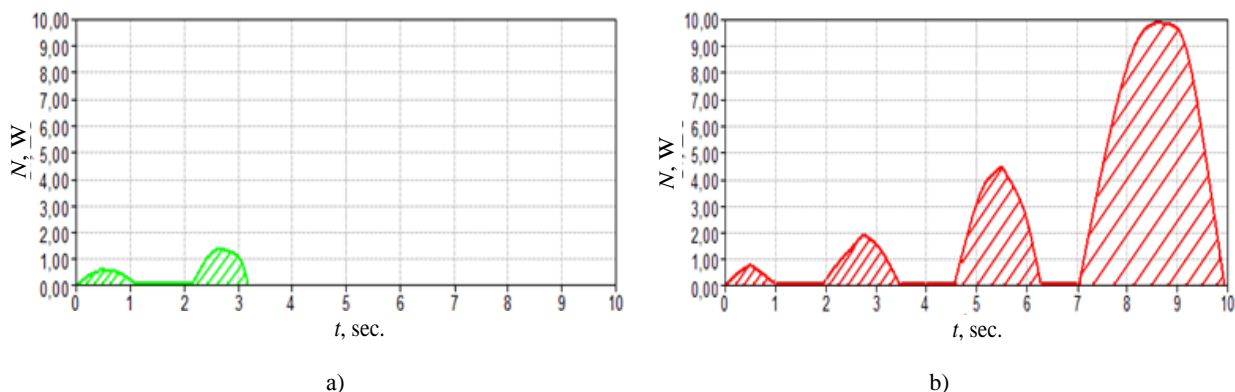
(when the intensity of breathing increases); and when the sensitivity threshold is reached, the breathing cycles turn into “sniffing”, which contributes to deeper air entry into the olfactory area and odour recognition. This moment of time can be characterized as the beginning of the sensitivity threshold of the odorivector – T (see fig. 3 and fig. 5).



**Fig. 5.** Cyclogram of air consumption for nasal breathing (T – sensitivity threshold)

The obtained facts make it possible to use signals in the area of the cyclogram that is located to the left of the sensitivity threshold T (see fig. 5) in order to calculate the energy characteristics of the nasal breathing; and to use the shaded area in the pneumatic breathing power diagram

(fig. 6) in order to determine energy respiratory costs for diagnosing disorders of the olfactory sensitivity in the normal conditions (fig. 6, a) and under nasal meatus obstruction (fig. 6, b) in an automatic mode.



**Fig. 6.** Cyclogram of air consumption for nasal breathing a) for polyposis ethmoiditis, b) physiological fluctuations

### Conclusions

Computer olfactometry is one of the most promising methods for diagnosing olfactory disorders of respiratory genesis. The developed biotechnical system is based on the use of a fundamentally new design that combines a rhinomanometer and an olfactometric nozzle with a container for an odorant. A feature of this system is also the capability to determine the energy characteristics of nasal breathing when the sensitivity threshold of an odorivector is reached. The analysis of the cyclogram of nasal breathing indicated that by changing the frequency and nature of breathing upon reaching the sensitivity

threshold, it is possible to objectify the method of assessing respiratory and olfactory disorders according to the energy criterion of pneumatic power when inhaling appropriate odorivectors, and also to study the olfactory and respiratory function with the capability of estimating respiratory cycles in a dynamic mode. This contributes to detecting respiratory and olfactory disorders. Specific breathing cycles of the stepped inspiration correspond to the odorivector sensation.

The future direction of the work is to specify the concentrations of odorants for the biotechnical system of olfactometric diagnostics, which enables rapid testing of respiratory-olfactory disorders.

### References

1. Alekseeva, N., Ponomareva, T. (2014), "Diagnosis of olfactory impairment with the help of the Snuffin Styx test for Parkinson's disease and polypous rhinosinusitis", *Bulletin of Otorhinolaryngology*, No. 1, pp. 37-40.
2. Avrunin, O., Shushlyapina, N., Nosova, Y., Bogdan, O. (2016), "Olfactometry diagnostic at the modern stage", Bulletin of NTU "KhPI". Series: New solutions in modern technologies, NTU "KhPI", Kharkiv, No. 12 (1184), pp. 95-100, doi:10.20998/2413-4295.2016.12.13.
3. Kim, W. S., Jang, D. P., Kim, In Y. (2014), "The Current Status of Evaluation Technologies for the Function of Human Olfaction", *Hanyang Med Rev*, No. 34, pp. 120-124
4. Heiselmann, H. L., Rivlin, R. S. (1986), "Clinical measurement of taste and smell", New York, pp.170-186.
5. Dzaman, K., Rapiejko, P., Szczygielski, K. et al. (2009), "Taste perception in patients with chronic rhinosinusitis with nasal polyps treated with oral glucocorticosteroid therapy", *Otolaryngol*, Vol. 63, No. 3, pp. 236-241.
6. Vodichka, J., Pellant, A., Chrobok, V. (2007), "Screening of olfactory function using odorized marcers", *Rhinology*, Vol. 44, pp. 164-168.
7. Zhao, H., Wei, Y., Miao, X. (2007), "Correlation between olfactory disorders and morphology of nasal cavity", *Lin. Chung. Er. Bi. Yan.*, Vol. 21, pp. 771-774.
8. Ciprandi, G., Mora, F., Cassano, M. (2009), "Visual analog scale (VAS) and nasal obstruction in persistent allergic rhinitis", *Otolaryngol. Head Neck Surg*, Vol. 141, pp. 527-529.
9. Scadding, G., Hellings, P., Alobid, I., Bachert, C., Fokkens, W. et al. (2011), "Diagnostic tools in Rhinology EAACI position paper", *Clinical and Translational Allergy*, No. 1:2, pp. 1-39
10. AyaFukasawa, K. O. (2013), "Olfactory Measurement Method at Health checkup with Olfactory Display using Pulse Ejection", *International Journal of Informatics Society*, No. 5, pp. 13-19
11. Doty, R. L. (2012), "Olfactory dysfunction in Parkinson disease", *Nat. Rev. Neurol*, Vol. 8., pp. 329-339
12. Stalemate. No. 91762 Ukraine, IPC A61B 5/08. Device for testing nasal breathing / Avrunin O., Zhuravlev A., Kalashnik M., Yaschenko M., Semenets V.; Applicant and patent holder Kharkiv National University of Radio Electronics. No. a200814356; applied. 15.12.2008; publ. 25.08.2010, Bul.: No. 16.
13. Avrunin, O. (2011), "Principles of Computer Planning of Functional Operational Interventions", *Technical Electrodynamics, Issue "Power Electronics and Energy Efficiency"*, Vol. 2, pp. 293-298
14. Device for testing respiratory disturbances of olfactory: pat. 110452 C2 Ukraine: МПКА61В 5/08 (2006.01) / Avrunin O., Zhuravlev A., Shushlyapina N., Nosova Y., Faruk Kh., Applicant and Patent Owner Kharkiv National University of Radio Electronics. No. 201500603; stated. January 26, 2015; published Jun 10, 2015, Bul. No. 11, 4 p.

Receive 07.07.2017

### Відомості про авторів / Сведения об авторах / About the Authors

**Носова Яна Віталіївна** – Харківський національний університет радіоелектроніки, аспірант кафедри біомедичної інженерії, м. Харків, Україна; e-mail: yana.nosova@nure.ua, ORCID: 0000-0003-4310-5833.

**Носова Яна Віталіївна** – Национальный технический университет «Харьковский политехнический институт», аспірант кафедри біомедицинської інженерії, г. Харьков, Україна; e-mail: yana.nosova@nure.ua, ORCID: 0000-0003-4310-5833.

**Nosova Yana** – Professor, Kharkiv National University of Radioelectronics, phd-student at the Department of Biomedical Engineering, Kharkiv, Ukraine; e-mail: yana.nosova@nure.ua, ORCID: 0000-0003-4310-5833.

**Аврунін Олег Григорович** – доктор технічних наук, професор, Харківський національний університет радіоелектроніки, професор кафедри біомедичної інженерії, м. Харків, Україна; e-mail: oleg.avrunin@nure.ua, ORCID: 0000 0002 6312 687X.

**Аврунін Олег Григорьевич** – доктор технических наук, профессор, Харьковский национальный университет радиоэлектроники, заведующий кафедрой \_биомедицинской инженерии, г. Харьков, Украина; e-mail: oleg.avrunin@nure.ua, ORCID: 0000 0002 6312 687X.

**Avrunin Oleg** – Doctor of Sciences (Engineering), Professor, Kharkiv National University of Radioelectronics, Chief of the Department of Biomedical Engineering, Kharkiv, Ukraine; e-mail: oleg.avrunin@nure.ua, ORCID: 0000 0002 6312 687X.

**Семенець Валерій Васильович** – доктор технічних наук, професор, Харківський національний університет радіоелектроніки, ректор Харківського національного університету радіоелектроніки, м. Харків, Україна; e-mail: valery.semenets@nure.ua, ORCID: 0000-0002-0952-6389.

**Семенец Валерий Васильевич** – доктор технических наук, профессор, Харьковский национальный университет радиоэлектроники, ректор Харьковский национальный университет радиоэлектроники, г. Харьков, Украина; e-mail: valery.semenets@nure.ua, ORCID: 0000-0002-0952-6389.

**Semenets Valery** – Doctor of Sciences (Engineering), Professor, Kharkiv National University of Radioelectronics, Rector at the Kharkiv National University of Radioelectronics, Kharkiv, Ukraine; e-mail: valery.semenets@nure.ua, ORCID: 0000-0002-0952-6389.

## БІОТЕХНІЧНА СИСТЕМА ДЛЯ КОМПЛЕКСНОЇ ОЛЬФАКТОМЕТРИЧНОЇ ДІАГНОСТИКИ

**Предметом** вивчення в статті є процес ольфактометричного дослідження нюхової функції людини. **Об'єкт дослідження** – біотехнічна система, що включає спосіб підвищення об'єктивності ольфактометричної діагностики. **Мета** – розробка біотехнічної системи для комплексної ольфактометрії, що дозволить підвищити об'єктивність ольфактометричних досліджень, і за рахунок розміщення носія пахучої речовини в повітряному тракті риноманометра, а також процедур визначення енергетичних характеристик дихання, зв'язати параметри дихання з показниками нюхової функції. Використовуваними **методами** є: методи цифрової обробки сигналів, теорія біотехнічних систем. Отримані наступні **результати**. Розроблено структурну схему біотехнічної системи для ольфактометричної діагностики нюхового аналізатора людини. В результаті аналізу циклограм носового дихання встановлено, що за зміною частоти і характеру дихання при досягненні порогу відчуття можна об'єктивізувати метод оцінки респіраторно-нюхових порушень з урахуванням енергетичного критерію пневматичної потужності при вдиханні відповідних одорівекторів, а також вивчати нюхову і дихальну функцію з можливістю оцінки дихальних циклів в динамічному режимі. Дослідження проводилися на основі типових циклів вдиху: при спокійному диханні в нормі, у форсованому режимі дихання при ригідності носового клапану, при носовому клапані з нормальною функціональною рухливістю, яка обмежує потік повітря, а також ступінчастий вдих – коротке "потягування" повітря, яке можна охарактеризувати, як своєрідне "принюхування". **Висновки**. Комп'ютерна ольфактометрія є одним з найбільш перспективних методів діагностики нюхових порушень респіраторного генезу. Розроблена біотехнічна система заснована на застосуванні принципово нової конструкції, що поєднує в собі риноманометр та ольфактометричну насадку з контейнером для пахучої речовини. Особливістю даної системи є також можливість визначати енергетичні характеристики носового дихання при досягненні порогу відчуття одорівектора. Перспективою роботи є уточнення концентрацій пахучих речовин для біотехнічної системи для ольфактометричної діагностики, що дозволяє на амбулаторному прийомі проводити тестування чутливості нюхового аналізатора.

**Ключові слова:** тест нюховий, одорівектор, риноманометрія, ольфактометрія, характеристики енергетичні.

## БИОТЕХНИЧЕСКАЯ СИСТЕМА ДЛЯ КОМПЛЕКСНОЙ ОЛЬФАКТОМЕТРИЧЕСКОЙ ДИАГНОСТИКИ

**Предметом** изучения в статье является процесс ольфактометрического исследования обонятельной функции человека. **Объект исследования** – биотехническая система, включающая способ повышения объективности ольфактометрической диагностики. Цель – разработка биотехнической системы для комплексной ольфактометрии, что позволит повысить объективность ольфактометрических исследований, и за счет размещения носителя пахучего вещества в воздушном тракте риноманометра, а также процедур определения энергетических характеристик дыхания, связать параметры дыхания с показателями обонятельной функции. Используемыми **методами** являются: методы цифровой обработки сигналов, теория биотехнических систем. Получены следующие **результаты**. Разработана структурная схема биотехнической системы для ольфактометрической диагностики обонятельного анализатора человека. В результате анализа циклограмм носового дыхания установлено, что по изменению частоты и характера дыхания при достижении порога ощущения можно объективизировать метод оценки респираторно-обонятельных нарушений по энергетическому критерию пневматической мощности при вдыхании соответствующих одоривекторов, а также изучить обонятельную и дыхательную функцию с возможностью оценки дыхательных циклов в динамическом режиме. Исследования проводились на основе типичных циклов вдоха: при спокойном дыхании в норме, в форсированном режиме дыхания при ригидном носовом клапане, при носовом клапане с нормальной функциональной подвижностью, ограничивающей поток воздуха, а также ступенчатый вдох – короткое "потягивание" воздуха, которое можно охарактеризовать, как своеобразное "принюхивание". **Выводы**. Компьютерная ольфактометрия является одним из наиболее перспективных методов диагностики обонятельных нарушений респираторного генеза. Разработанная биотехническая система основана на применении принципиально новой конструкции, сочетающей в себе риноманометр и ольфактометрическую насадку с контейнером для пахучего вещества. Особенностью данной системы является также возможность определять энергетические характеристики носового дыхания при достижении порога ощущения одоривектора. Перспективой работы является уточнение концентраций пахучих веществ для биотехнической системы для ольфактометрической диагностики, позволяющей на амбулаторном приеме проводить тестирование чувствительности обонятельного анализатора.

**Ключевые слова:** тест обонятельный, одоривектор, риноманометр, ольфактометрия, характеристики энергетические.

*Бібліографічні описи / Библиографические описания / Bibliographic descriptions*

**Носова Я. В., Аврунин О. Г., Семенец В. В.** Біотехнічна система для комплексної ольфактометричної діагностики. *Сучасний стан наукових досліджень та технологій в промисловості*. Харків. 2017. № 1 (1). С. 64–68.

**Носова Я. В., Аврунин О. Г., Семенец В. В.** Биотехническая система для комплексной ольфактометрической диагностики. *Сучасний стан наукових досліджень та технологій в промисловості*. Харків. 2017. № 1 (1). С. 64–68.

**Nosova Y., Avrunin O.** Biotechnical system for integrated olfactometry diagnostics. *Innovative technologies and scientific solutions for industries*. Kharkiv. 2017. No. 1 (1). P. 64–68.